

Solaira^o™

COSY SERIES



WEATHERPROOF
TECHNOLOGY

3
year

Fixture *
Warranty

Solaira Cosy Series heaters are engineered as low profile, high output heaters for specifications requiring lower mounting heights. The Cosy Series are especially suited for porches, patio and drafty seating areas. Ideal for both commercial and residential applications, the efficient Cosy Series heater converts 92% of consumed energy into directional heat that is virtually unaffected by wind. This series is engineered for condominium terraces and under awnings or commercial umbrellas.

- Certified for Outdoor/indoor wet environments
- Scratch resistant, epoxy powder coat finish
- Sleek Aircraft grade 6061 extruded aluminum
- 1.5kW, 120V model with watertight junction box and 15' cable with plug (or can be hardwired)
- 1.5kW, 240V model with watertight junction box and 6' cable, hardwire
- cCSAus listed and certified to ANSI/UL 1278, UL 2021, ANSI/UL 875 and ANSI/UL 834
- Available in Black or White



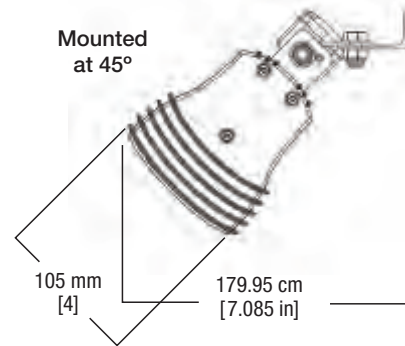
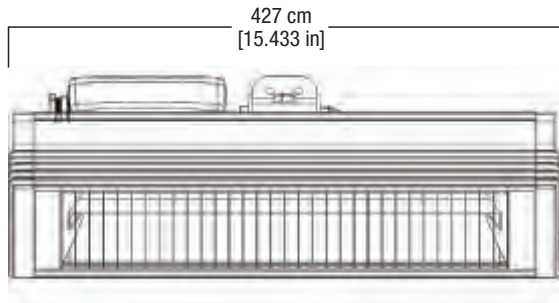
ENERGYSMART
Co²Free!

In association with members of:



*Visit local authorized Solaira Dealer for details

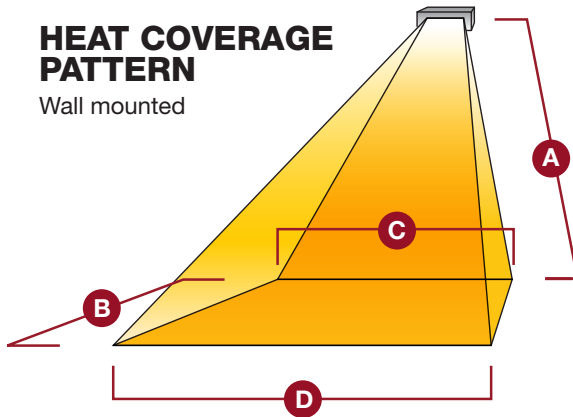
SPECIFICATIONS COSY 1.5kW/120V/ 1.5kW/208-240V



All commercial heaters should be installed by a certified electrician to local and state electrical codes

HEAT COVERAGE PATTERN

Wall mounted



HEAT COVERAGE EXAMPLES

Model	A	B	C	D	Heat Zone*	Heat Density*
SCOSYAW15120 B/W	6'7"	8'	8'	10'	70 SQ FT	18 WATTS/SQ. FT
SCOSYAW15240 B/W	6'7"	8'	8'	10'	70 SQ FT	18 WATTS/SQ. FT

* Heat Zone and actual heat density will vary based on mounting height and angle of heater (Overhead mounted heat zones will be different then this guide). Please use this as a guideline only and contact Solaira for a more detailed specifier guide.



Solaira variable controllers, timers and occupancy sensors allow you to control precise heat requirements for conditions.



PRODUCT TABLE:

MODEL	COLOR	WATT	VOLT	AMPERE	L X D X H	WEIGHT	REPLACEMENT EMITTER
SCOSYAW15120B	BLACK	1.5kW	120V	12.5A	16 X 4 X 4"	5lbs	SWIREAW15120
SCOSYAW15120W	WHITE	1.5kW	120V	12.5A	16 X 4 X 4"	5lbs	SWIREAW15120
SCOSYAW15240B	BLACK	1.5kW	240V	6.25A	16 X 4 X 4"	5lbs	SWIREAW15240
SCOSYAW15240W	WHITE	1.5kW	240V	6.25A	16 X 4 X 4"	5lbs	SWIREAW15240

Solaira™

INFORESIGHT
 INFORESIGHT CONSUMER PRODUCTS INC.
 PHONE: 905-568-7655 • FAX: 905-568-7521
WWW.SOLAIRAEHEATERS.COM

*Visit local authorized Solaira Dealer for details